

06/2011

# Mod: ASA-135

Production code: MICRON 12 +UC +SP

CUISIMAT

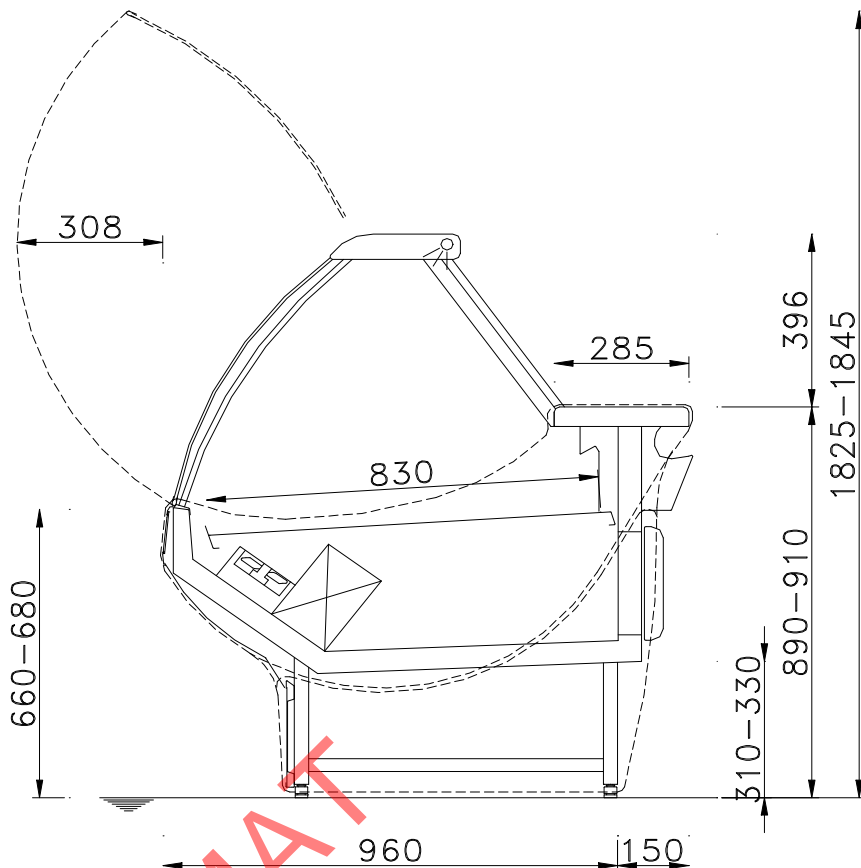


**Diamond**  
catering equipment



# MICRON Refrigerated Display Counter

<b>Refrigeration details (25 Deg C / 60% R.H.)</b>	
Climatic Class (EN23953-2):	3
Goods Temperature Class (EN23953-2):	M2
Refrigeration Type	Ventilated
Average Extraction Rate	260 W/m
Evaporating Temperature	-10°C
Refrigerant	R404A
Defrosting Type	Stop compressor
Number of Defrosting	1 every 8 hours
Duration of Defrosting	40 minutes
Liquid Pipe Entry Size	6 mm
Suction Pipe Exit Size	12 mm
Valve Type	Welded
Valve Model	Danfoss
Drain Outlet Size	40 mm



<b>Electrical Features (230Vac / 50Hz)</b>	<b>Unit</b>	<b>Available Lengths (mm)</b>									
		1250	1563	1875	2500	3125	3750	90°	135°	225°	270°
Evaporator Fans	W	20	20	40	40	60	60	40	40	40	40
Canopy Lighting	W	44	46	73	90	119	146	73	90	90	90
Anti-sweat	W	46	56	72	96	122	146	108	108	84	58
<b>Rated Output*</b>	W	<b>110</b>	<b>125</b>	<b>190</b>	<b>230</b>	<b>300</b>	<b>355</b>	<b>220</b>	<b>240</b>	<b>215</b>	<b>190</b>
Condensing Unit	W	270	360	425	425	525	700	425	425	425	425
<b>Rated Output with Condensing Unit*</b>	W	<b>380</b>	<b>485</b>	<b>615</b>	<b>655</b>	<b>825</b>	<b>1055</b>	<b>645</b>	<b>665</b>	<b>640</b>	<b>615</b>
Mezzanine Shelf Lighting (option)	W	44	46	73	90	119	146	73	90	90	90

\*: When options are present, add the optional power to the rated output.

Display Deck Area	sqm	1,1	1,4	1,6	2,2	2,7	3,2	1,56	1,93	1,96	2,13
Max product weight on display deck	kg	100	130	150	200	250	300	160	190	190	210

<b>Technical Features</b>	<b>Type / Material</b>	<b>Model</b>
Canopy Lighting	Fluorescent Neon Tube	PINK
Mezzanine Shelf Lighting	Fluorescent Neon Tube	PINK
Controller	Electronic	-----
Water Evaporating System with Condensing Unit	Hot Gas - Manual	-----
Water Evaporating System without Condensing Unit	Manual	-----
Inside Belley - Display Deck	Stainless Steel	-----
Evaporator	Painted	-----