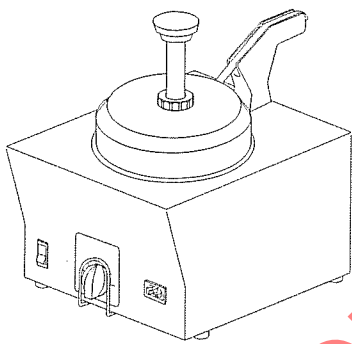


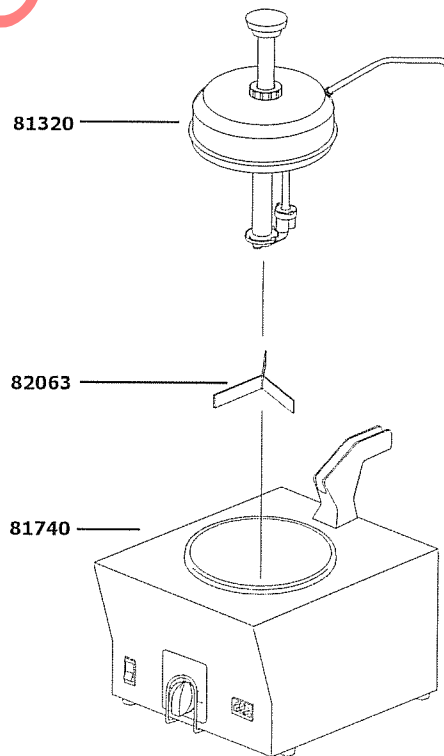
**LIGHTED FUDGE SERVER  
(230V)**

*Part # Qty. Part Description*

81320	1	FOOD SERVER PUMP
81740	1	BASE ONLY FOR LFSPW (230V)
82063	1	SPACER



CUISIMAT



**LFSPW (230V)**



Data Collected 10/2000

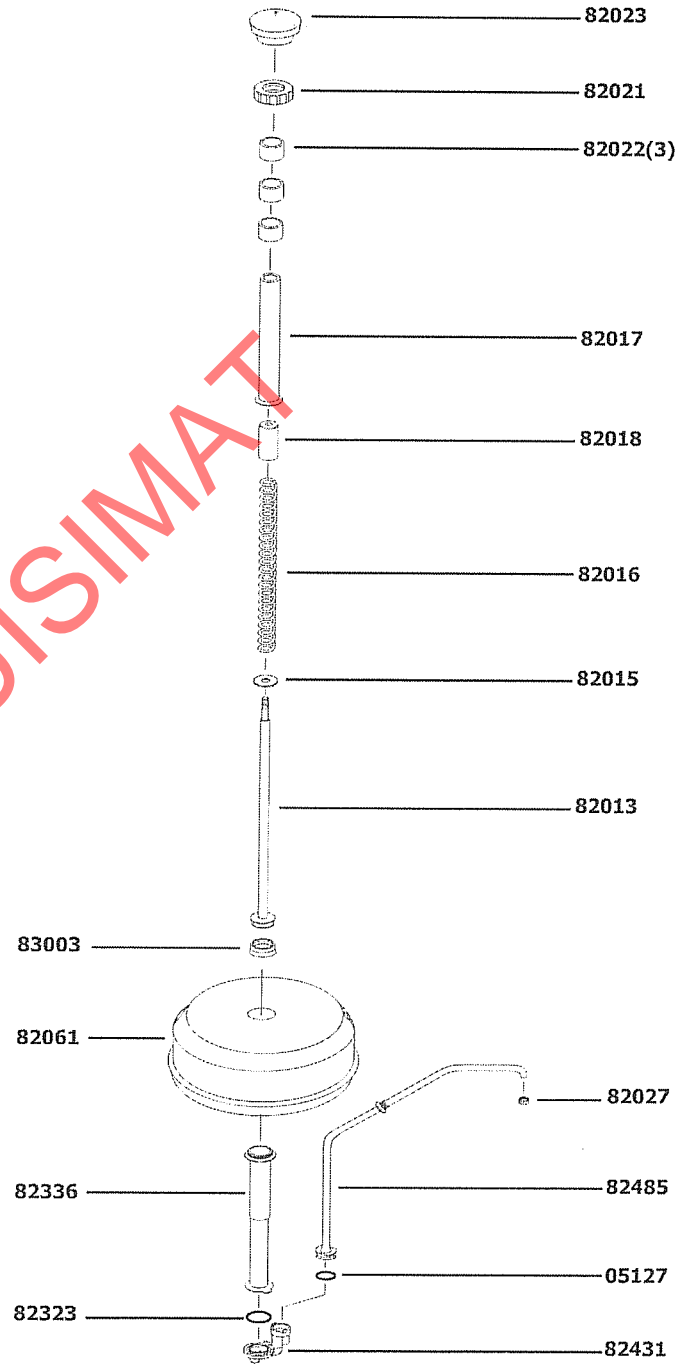
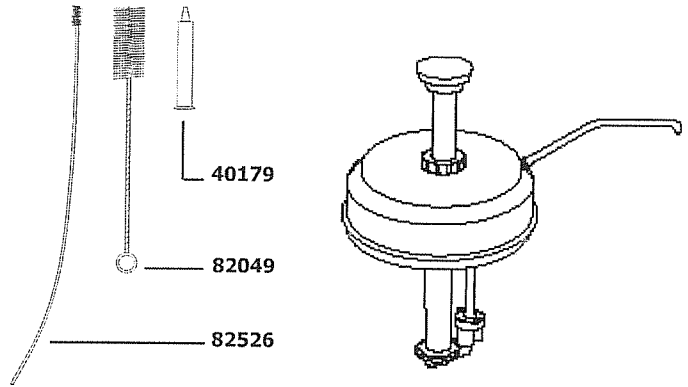
**81070**

**FOOD SERVER PUMP**  
**81320 (-100), (-2AW), (-7AX)**

Part #	Qty.	Part Description
01533-99E	1	MANUAL, INSTRUCTION (PUMPS PREVIOUS TO 5-19-99 (EC3309) USE 01821 MANUAL. SERIES OF THE FINAL UNIT MUST BE KNOWN TO DETERMINE WHICH 01821 MANUAL IS TO BE USED)
05127	1	O-RING, 1"
40179	1	LUBRICANT, FOOD EQUIPMENT
82013	1	PISTON
82015	1	WASHER
82016	1	SPRING
82017	1	TUBE, HEAD
82018	1	INSERT, HEAD
82021	1	COLLAR, LOCKING
82022	3	COLLAR, GAGING-.25 OZ REDUCTION
82027	1	NUT, DISCHARGE TUBE
82049	1	BRUSH
82061	1	LID, FSP
82319	1	BODY, VALVE ASSEMBLY (#06022 1/2" BALLS ARE CAPTURED IN THIS ASSEMBLY, BUT MAY BE PURCHASED SEPARATELY FOR REPLACEMENT. THE REPLACEMENT VALVE BODY ASSEMBLY KIT IS #82431)
82323	1	O-RING, 1 5/16"
82336	1	CYLINDER ASSEMBLY
82485	1	TUBE, DISCHARGE ASSEMBLY
82526	1	BRUSH, 15"
83005	1	SEAL (USE REPLACEMENT KIT #83003)

**Knob Choices:**

82023-000	1	KNOB-000 (BLACK)
82023-100	1	KNOB-100 (RED)
82023-2AW	1	KNOB-2AW (YELLOW-A&W CARAMEL)
82023-7AX	1	KNOB-7AX (BROWN-A&W FUDGE)



**81320 FOOD SERVER PUMP**





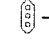

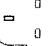

**BASE ONLY FOR LIGHTED  
FUDGE SERVER WITH PUMP  
AND WARMER (230V)**

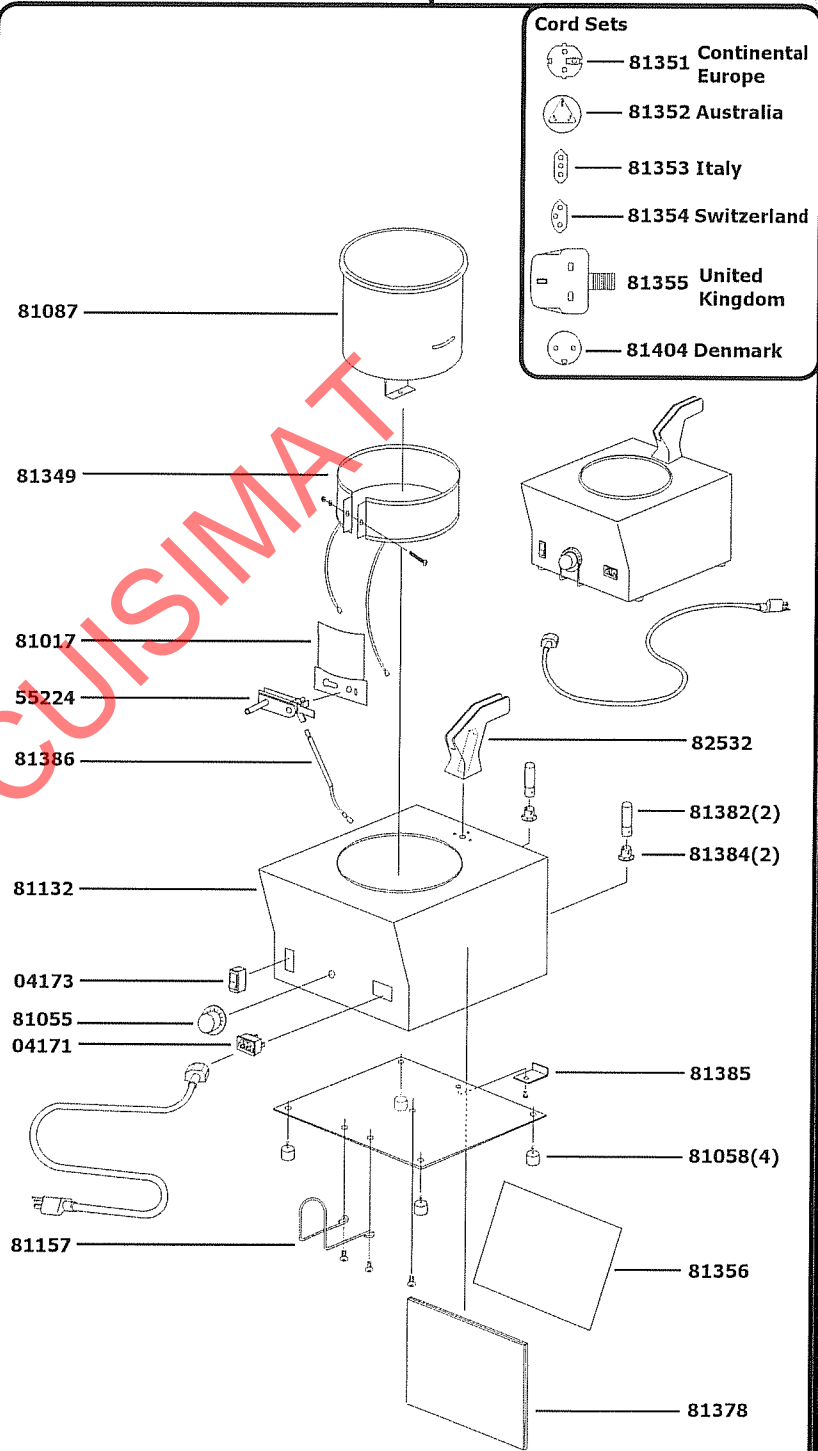
Part # Qty. Part Description

- 01862-99E 1 MANUAL, INSTRUCTION
- 04171 1 INLET, POWER  
(FOR SERIES PRIOR TO 97J), USE #81379)
- 04173 1 SWITCH, SNAP-IN ROCKER  
(FOR SERIES PRIOR TO 97J), USE #81383)
- 10002 1 LABEL, "IMPORTANT"
- 10015 2 SCREW, 8-32 X 1/4, PHIL, TRUSS/HD
- 10019 1 SCREW, 8-32 X 1, PHIL, RD/HD
- 10020 1 SCREW, 8-32 X 1/2, PHIL, PAN/HD
- 10021 2 SCREW, 8-32 X 3/8, PHIL, TRUSS/HD
- 10023 3 SCREW, 10-24 X 1/4, PHIL, TRUSS/HD
- 10035 4 SCREW, 6-32 X 5/16, PHIL, RD/HD
- 10107 4 NUT, 6-32 HEX
- 10109 1 NUT, 8-32 HEX
- 10152 2 LOCKWASHER, #8, INTERNAL
- 10154 2 LOCKWASHER, #8, EXTERNAL
- 11111 1 INSULATION, SIZE 5, 200C, 3
- 80301 1 LABEL, SERIES, ELECTRICAL
- 80305 1 LABEL, LOGO
- 81005 1 LABEL, WARNING
- 81006 1 LABEL, HOT
- 81017 1 BRACKET, THERMOSTAT
- 81055 1 KNOB, THERMOSTAT  
(SEND #05229 KNOB IF UNIT HAS A CELSIUS LABEL)
- 81058 4 FOOT, W/SCREW
- 81088 1 GUARD, KNOB  
(USE REPLACEMENT KNOB KIT #81157)
- 81116 1 VESSEL, WATER ASSEMBLY  
(FOR SERIES 89 TO PRESENT, USE REPLACEMENT  
WATER VESSEL KIT #81087- WHICH INCLUDES  
HEATING ELEMENT)
- 81132 1 SHROUD ASSEMBLY
- 81224 1 THERMOSTAT  
(USE REPLACEMENT THERMOSTAT KIT #55224)
- 81356 1 PICTURE, FUDGE  
(FOR SERIES PRIOR TO 97F, ALSO NEED #81378  
PICTURE CARRIER)
- 81369 1 RETAINER, LIGHT
- 81375 1 CLOSER, BOTTOM
- 81376 1 ELEMENT, HEATING, 230V  
(USE REPLACEMENT HEATING ELEMENT KIT #81349)
- 81377 1 LABEL, WATTAGE
- 81378 1 CARRIER, PICTURE
- 81381 1 LABEL, CE
- 81382 2 BULB, 7-10W, BAYONET BASE, 220-260V
- 81384 2 SOCKET, BAYONET BASE, 250V
- 81385 1 BRACKET, PICTURE RETAINER
- 81386 2 CUT-OUT, THERMAL ASSEMBLY
- 81681 1 ELEMENT, HEATING, CERAMIC, 230V  
(FOR SERIES 96G TO PRESENT, USE REPLACEMENT  
HEATER BLOCK KIT #82532.  
FOR SERIES PRIOR TO 96G, USE KIT #81147.  
-HEATER BLOCK & CERAMIC HEATING ELEMENT  
MAY NOT BE PURCHASED SEPARATELY)

- 82528 1 BLOCK, HEATER  
(FOR SERIES 96G TO PRESENT, USE REPLACEMENT  
HEATER BLOCK KIT #82532.  
FOR SERIES PRIOR TO 96G, USE KIT #81147.  
-HEATER BLOCK & CERAMIC HEATING ELEMENT  
MAY NOT BE PURCHASED SEPARATELY)

**Cord Sets**

-  81351 Continental Europe
-  81352 Australia
-  81353 Italy
-  81354 Switzerland
-  81355 United Kingdom
-  81404 Denmark



Data Collected 02/2001

**(BASE ONLY) LFSPW (230V)**

**81740**

Toll Free in USA: 1 (800) 558-8722  [www.server-products.com](http://www.server-products.com)  [pumps@expec.com](mailto:pumps@expec.com)

